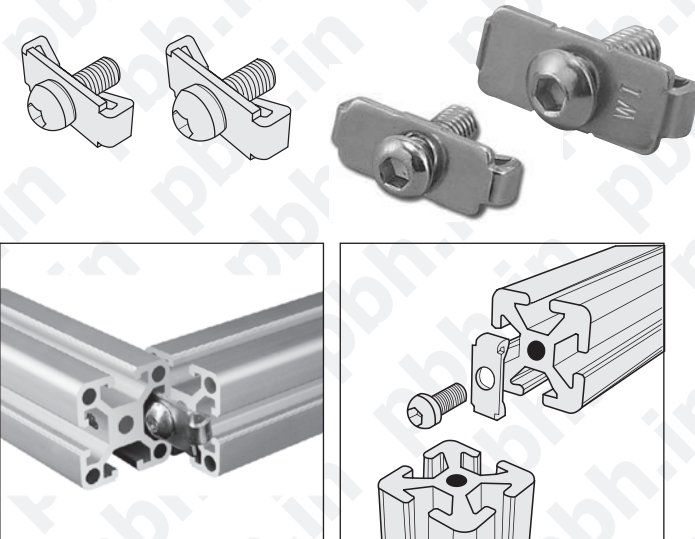


MAXIMA® PROFILE SYSTEM

JOINT CLIP

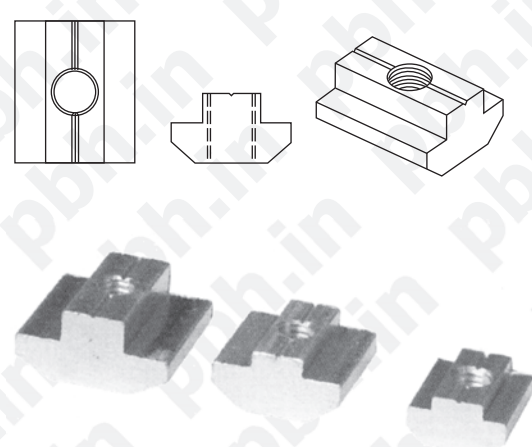


Material: Zinc Plated Steel

- ▶ Used Together with button head screw M8x20
- ▶ For simple, right angled and power-lock connection
- ▶ JC-408 used for 40 x 40 Profile

Order No. : JC - 4040, JC - 3030

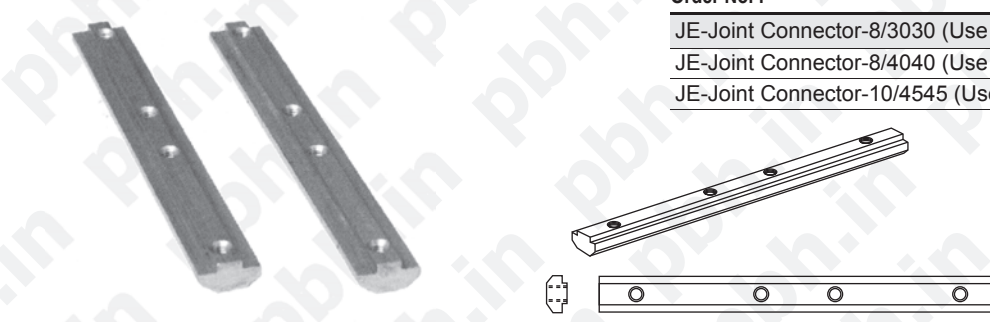
SLOT BLOCK



Order No. :

SB M4 / 3030, SB M5 / 3030, SB M6 / 3030, SB M8 / 3030
SB M4 / 4040, SB M5 / 4040, SB M6 / 4040, SB M8 / 4040
SB M4 / 4545, SB M5 / 4545, SB M6 / 4545, SB M8 / 4545

JOINT CONNECTOR



Order No. :

JE-Joint Connector-8/3030 (Use for 3030, 3060 Profile)
JE-Joint Connector-8/4040 (Use for 4040, 4080, 8080 Profile)
JE-Joint Connector-10/4545 (Use for 4545, 4590 Profile)

For More Details Logon to Our Website : [www.pbh.in](http://www.pbh.in)