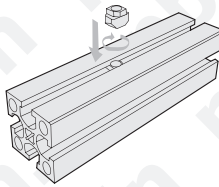


MAXIMA® PROFILE SYSTEM

T-NUT

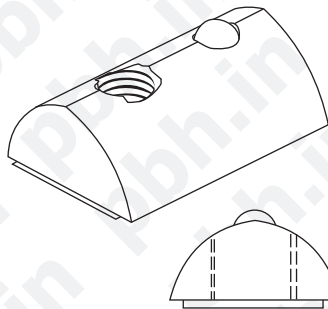
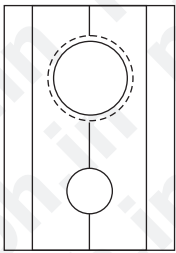


Order No.:

T-NUT M4 / 2020, T-NUT M5 / 2020  
 T-NUT M4 / 3030, T-NUT M5 / 3030, T-NUT M6 / 3030  
 T-NUT M4 / 4040, T-NUT M5 / 4040, T-NUT M6 / 4040  
 T-NUT M4 / 4545, T-NUT M5 / 4545, T-NUT M6 / 4545, T-NUT M8 / 4545

(Material) Zn Casting or Steel (SCM435)

BALL-NUT

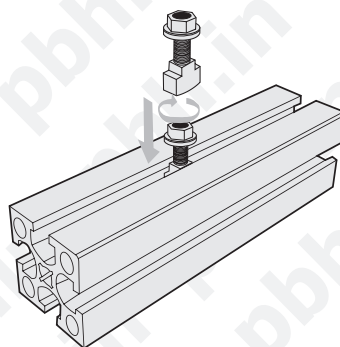


Material Zinc Plated Steel

► Universally usable mounting element fits into the profile groove at any desired point by means of Spring thrust piece

Order No.: BN M4 / 2020, BN M5 / 2020  
 BN M5 / 3030, BN M6 / 3030, BN M8 / 3030  
 BN M5 / 4040, BN M6 / 4040, BN M8 / 4040

T-BOLT



Material Zinc Plated Steel

Order No.: T-BOLT / NUT 6 x 16  
 T-BOLT / NUT 8 x 20  
 T-BOLT / NUT 8 x 25 - 8  
 T-BOLT / NUT 8 x 25 - 10  
 T-BOLT / NUT 8 x 40 - 8  
 T-BOLT / NUT 8 x 40 - 10

For More Details Logon to Our Website : [www.pbh.in](http://www.pbh.in)