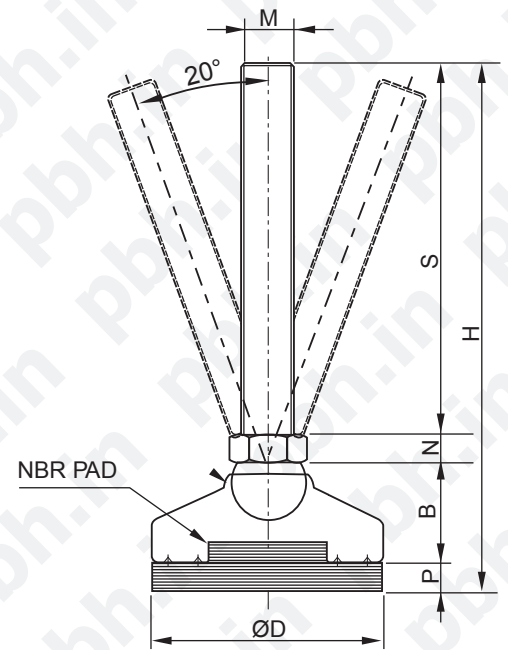


MAXIMA® LEVELING FOOTMOUNT

MFNR

(HEAVY DUTY PURPOSE CUSHIONING)
STEEL & STAINLESS



MODEL	DIMENSIONS (m/m)							FINISH	4EA/kg	
	D	M	S	H	N	B	P			
MFNR (STEEL)	59	M12X1.7.5	75	113	8	24	6	MFNR	1000	
			100	138						
			125	163						
			150	188						
	78	M16X2.0	200	238	10	26	10			2000
			50	96						
			75	121						
			100	146						
			130	176						
			150	196						
		M20X2.5	180	226	13	26	10			3000
			200	246						
			250	296						
			100	149						
	98	M24X3.0	130	179	16	29	10			4000
			150	199						
			180	229						
			200	249						
M30X3.5		250	299	19	29	10	5000			
		100	155							
		150	205							
		200	255							
			150	208						
			200	258						
			250	308						

PARTICULAR CASE IS MADE-TO-ORDER

For More Details Logon to Our Website : www.pbh.in