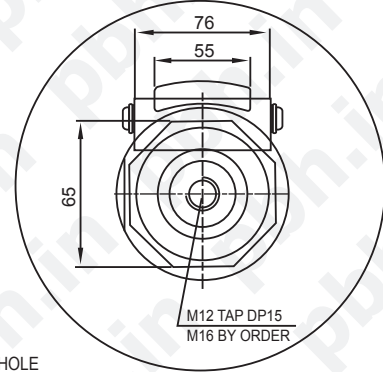
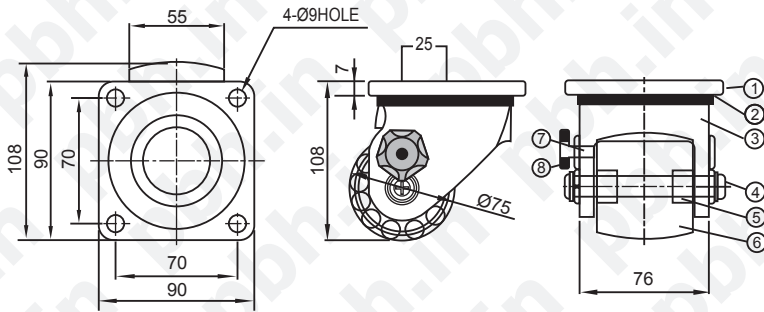


WIM-800, WIMT-800
(MEDIUM DUTY PURPOSE)



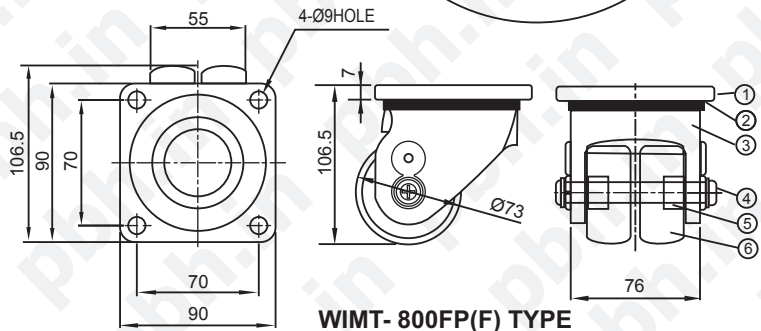
WIM- 800FP(F) TYPE

WIM(T)- 800S TYPE



Specification:

- (Load/Unit) : 800kg/EA
- (Recommended) : 2,000kg/4EA
- (Net Weight) : WIM - Type - 1.27 kg
WIMT - Type - 1.13 kg
- (Temperature range) : -10~ +90°C



WIMT- 800FP(F) TYPE

MATERIAL :

NO	PARTS	MATERIALS	TREATMENTS
1	TOP PLATE	SM45C	Zn Galvanized (3+)
2	BALL	STB2	Ni-Cr
3	FRAME	ADC8	Powder Coated
4	PIN	SM45C	Zn Galvanized
5	BEARING	6301Z	
6	WHEEL	NYLON-6	Black
7	BRAKE BOLT	SM45C	Zn Galvanized (3+)
8	HANDLE	ABS	Black

For More Details Logon to Our Website : www.pbh.in