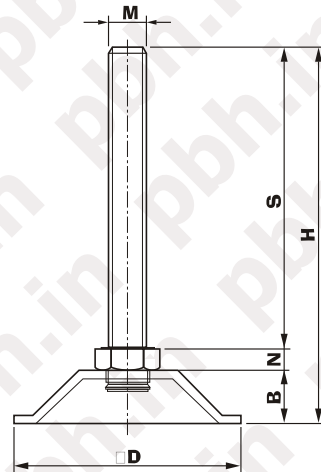


**MAXIMA PROFILE SYSTEM**

**BL**

(GENENERY STANDARD)  
STEEL & STAINLESS



MODEL	DIMENSIONS (m/m)							FINISH	4EA/kg
	D	M	S	H	N	B			
BL (STEEL)	36	M6X1.0	40	55	6	9	2t	BL	200
		M8X1.25	40	55					250
	50	M10X1.5	80	95	7	15	2.6t		400
			60	82					8
	63	M12X1.75	100	122	8	15	3t		
			50	73					10
	76	M16X2.0	70	93	10	17	4.5t	1800	
			100	123					13
	95	M20X2.5	125	148	13	22	4.5t	1800	
			150	173					13
	36	M6X1.0	50	73	6	9	2t	BL	
			40	55					7
	50	M10X1.5	60	82	7	15	2.6t	BL	
			70	93					8
	63	M12X1.75	100	123	8	15	3t	BL	
			125	148					10
	76	M16X2.0	150	173	10	17	4.5t	BL	
			200	223					13
	95	M20X2.5	45	70	10	17	4.5t	BL	
			70	95					13
	36	M6X1.0	100	123	6	9	2t	BL	
			125	148					7
	50	M10X1.5	150	173	7	15	2.6t	BL	
			200	223					8
	63	M12X1.75	250	277	8	15	3t	BL	
			300	327					10
	76	M16X2.0	80	110	10	17	4.5t	BL	
			100	130					13
95	M20X2.5	125	155	13	22	4.5t	BL	1800	
		150	180						13
36	M6X1.0	180	210	6	9	2t	BL	200	
		200	230						7
50	M10X1.5	250	280	7	15	2.6t	BL	400	
		300	330						8
63	M12X1.75	80	95	8	15	3t	BL	1200	
		100	125						10
76	M16X2.0	125	152	10	17	4.5t	BL	1800	
		150	177						13
95	M20X2.5	180	207	13	22	4.5t	BL	1800	
		200	227						13

PARTICULAR CASE IS MADE-TO-ORDER

**For More Details Logon to Our Website : [www.pbh.in](http://www.pbh.in)**