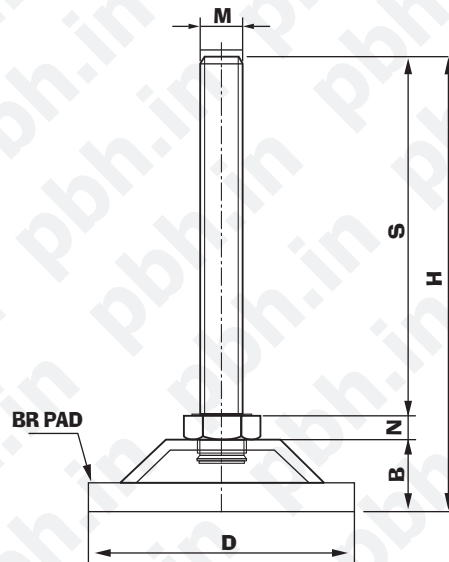


MAXIMA® LEVELING FOOTMOUNT

RB

(THE DUSTPROOF AND SLIDEPROOF)

STEEL & STAINLESS



MODEL	DIMENSIONS (m/m)							FINISH	4EA/kg
	D	M	S	H	N	B			
RB (STEEL)	40	M6X1.0	40	59	6	13	2t	100	
		M8X1.25	40	59				200	
	55	M10X1.5	60	87	7	20	2.6t	300	
			100	127				8	600
		M12X1.75	50	78	8	600			
			75	103					
			100	128	10	800			
			125	152				10	800
	150	178	10	800					
	68	M12X1.75			50	79	8	21	RB
			75	104	10	700			
		100	129	10			800		
		125	154		10	800			
		150	179	10			800		
		200	229		10	800			
	81	M16X2.0	50	81			10	23	3t
			75	106	13	1000			
		100	131	13			1000		
		130	161		13	1000			
		150	181	13			1000		
		200	233		13	1000			
	103	M20X2.5	80	116			13	29	4.5t
			100	136	13	1500			
		130	166	13			1500		
150		186	13		1500				
180		216		13		1500			
200		236	13		1500				
250	286	13		1500					
300	336		13		1500				
103	M20X2.5	80		122		13	29	4.5t	1500
		100	142	13	1500				
	130	172	13			1500			
	150	192		13	1500				
	180	222	13			1500			
	200	242		13	1500				
250	292	13	1500						
300	342			13	1500				

PARTICULAR CASE IS MADE-TO-ORDER

For More Details Logon to Our Website : www.pbh.in