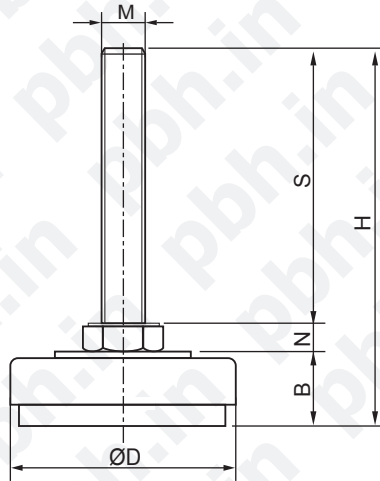


MAXIMA® LEVELING FOOTMOUNT

NS

(DUTY CUSHIONING TYPE)  
STEEL & STAINLESS



MODEL	DIMENSIONS (m/m)						FINISH	4EA/kg				
	D	M	S	H	N	B						
NS (STEEL)	30	M6X1.0	40	61	6	13	NS	100				
		M8X1.25	40	61				200				
			80	101				100				
	40	M6X1.0	40	63	7	17		100				
		M8X1.25	40	63				200				
			80	103				300				
	48	M10X1.5	60	84.5	8	17.5		500				
			100	124.5				50	75.5			
			75	100.5				100	125.5			
		M12X1.75	125	150.5	10			700				
			150	175.5					200	225.5		
			50	77.5					75	102.5		
		M16X2.0	100	127.5	8			600				
			130	157.5					150	177.5		
			50	76.5					75	101.5		
		61	M12X1.75	100	126.5			10	18.5	800		
				125	151.5					100	128.5	
				150	176.5					130	158.5	
			M16X2.0	150	178.5			13		1000		
				180	208.5						200	228.5
				250	278.5						80	111.5
	72		M20X2.5	100	131.5	10		20		900		
				130	161.5						13	1200
				150	181.5							
		M16X2.0	180	211.5	10	2.3t						
			200	231.5					75		105	
			250	281.5					100		130	
		M20X2.5	130	160	10	900						
			150	180					130	163		
			180	213					150	183		
200			233	180			213					
230			263	200			233					
283			313	250			283					

PARTICULAR CASE IS MADE-TO-ORDER

For More Details Logon to Our Website : [www.pbh.in](http://www.pbh.in)