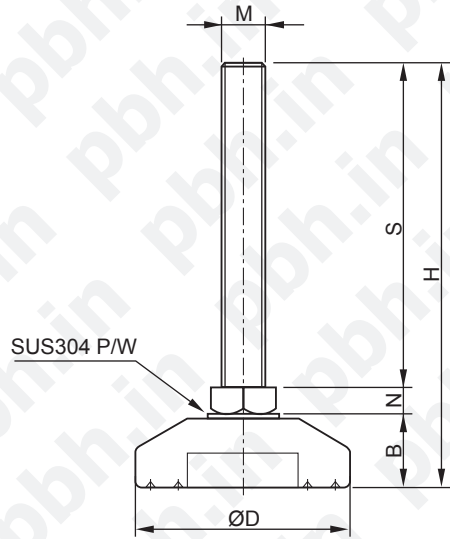


MAXIMA[®] **LEVELING FOOTMOUNT**

MF

(HEAVY DUTY & ULTRA HEAVY DUTY PURPOSE)
STEEL & STAINLESS



MODEL	DIMENSIONS (m/m)						FINISH	4EA/kg			
	D	M	S	H	N	B					
MF (STEEL)	53	M12X1.75	50	74	8	16	MF	1000			
			75	99							
			100	124							
			125	149							
			150	174							
	59	M12X1.75	50	76	10	18		1000			
			75	101							
			100	126							
			125	151							
			150	176							
	59	M16X2.0	50	78	10	18		2000			
			75	103							
			100	128							
			130	158							
			150	178							
	78	M16X2.0	180	208	13	22		2000			
			200	228							
			250	278							
			50	82					16	18	3000
			75	107							
	100	132									
	130	162									
	150	182									
	64	M20X2.5	180	212	16	22		3000			
200			232								
250			282								
80			111	19			22		4000		
100			131								
130	161										
150	181										
180	211										
78	M20X2.5	200	231	19	27	4000					
		250	281								
		80	115				22	27	5000		
		100	135								
		130	165								
150	185										
180	215										
78	M24X3.0	200	238	22	27	4000					
		250	285								
		150	193								
98	M24X3.0	200	243	22	27	4000					
		250	293								
		150	196								
98	M30X3.5	200	246	22	27	5000					
		250	296								
		150	196								

PARTICULAR CASE IS MADE-TO-ORDER

For More Details Logon to Our Website : www.pbh.in